

**MINITRANSPORTER CINGOLATO**

**SC-161 DB**  
**DC**

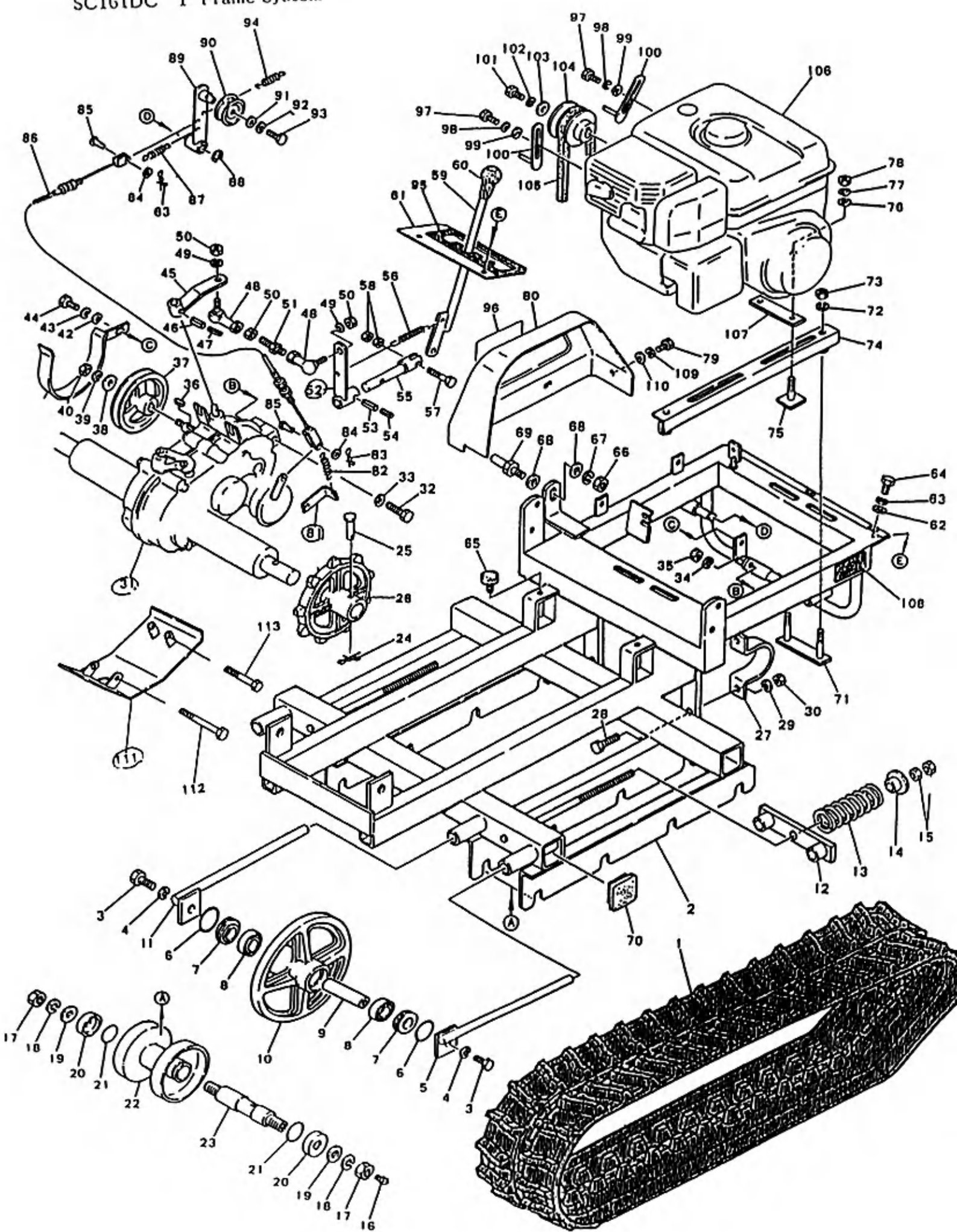
**CON MOTORE HONDA GX160K1**

**ESPLOSO RICAMBI**

**SABRE ITALIA** 

Tel. 0444 977655 – Fax 0444 977200  
[www.sabreitalia.com](http://www.sabreitalia.com) – [info@sabreitalia.com](mailto:info@sabreitalia.com)

# SC161DC 1 Frame System

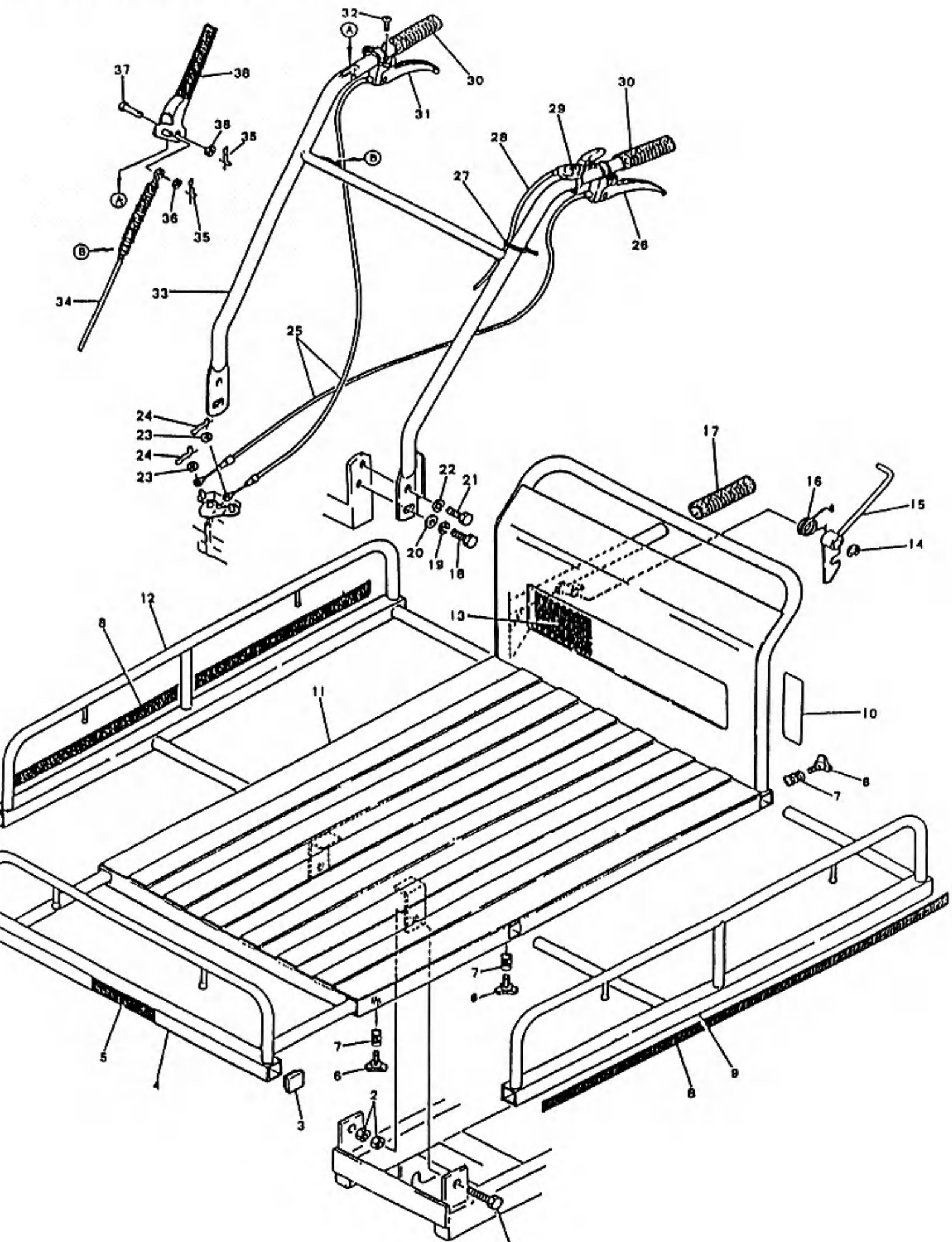


Item No	Parts number	Parts name	Remarks	Q'ty
1-1	6886030000	Rubber Crawler		2
1-2	61501020200	Frame		1
1-3	0010111225	Bolt	M12 X 25 (8T)	4
1-4	0027100012	Spring Washer	M12	4
1-5	61500120100	Rod (LH)		2
1-6	0052300450	O-Ring	G45	4
1-7	6016511000	Dustproof Collar		4
1-8	0040146005A	Bearing, Ball	6005 (2NS)	4
1-9	8501081000	Axis, Front Wheel		2
1-10	6011530000	Front Wheel		2
1-11	61500120000	Rod (RH)		2
1-12	61400120200	Plate, Crawler Tension		2
1-13	60800020100	Spring, Crawler Tension		2
1-14	6921350000	Plate, Crawler Spring		2
1-15	0020100016	Nut	M16	4
1-16	0060660000	Fitting, Grease	1/4-28UNF A	8
1-17	0020200020	Nut	M20 X P1.5	16
1-18	0027100020	Spring Washer	M20	16
1-19	0026100020	Plain Washer	M20	16
1-20	6061591000	Dustproof Cap		16
1-21	0052100360	O-Ring	P36	16
1-22	6061550000	Idler		8
1-23	6061560000	Axis, Idler		8
1-24	0031199010	Pin with Stopper	Φ 10	2
1-25	0031311055	Pin	Φ 10 X 60	2
1-26	6881130000	Sprocket (9T)		2
1-27	6501230000	Plate, Axis Case		2
1-28	0012801235	Bolt	M12 X 35	2
1-29	0027100012	Spring Washer	M12	4
1-30	0020100012	Nut	M12	4
1-31	61500160000	Mission, FT51	~1995	1
↑	61500160100	Mission, FT51	1996~	1
1-32	0010101070	Bolt	M10 X 70	1
1-33	0026100010	Plain Washer	M10	1
1-34	0027100010	Spring Washer	M10	1
1-35	0020100010	Nut	M10	1
1-36	0300000018	Key	5 X 5 X 25 RR	1
1-37	61500120200	Pulley, Mission		1
1-38	7082200000	Washer		1
1-39	0020100010	Spring Washer	M10	1
1-40	0020100010	Nut	M10	1
1-41	61500120400	Belt Stopper		1
1-42	0026100010	Plain Washer	M8	1
1-43	0027100008	Spring Washer	M8	1
1-44	0010100816	Bolt	M8 X 16	1
1-45	61500120500	Link Srm (A)		1
1-46	0030300525	Spring Pin	Φ 5 X 25	1
1-47	0030300325	Spring Pin	Φ 3 X 25	1

Item No	Parts number	Parts name	Remarks	Q'ty
1-48	7876410000	Link Ball	BL8D	2
1-49	0027100008	Spring Washer	M8	2
1-50	0020100008	Nut	M8	3
1-51	61500120600	Rod		1
1-52	61500120700	Link Arm (B)	~1995	1
↑	61500121100	Link Arm(B)	1996~	1
1-53	0030300525	Spring Pin	Φ5 X 25	1
1-54	0030300325	Spring Pin	Φ3 X 25	1
1-55	61500120800	Shaft, Shift		1
1-56	6062104000	Spring		1
1-57	0100000011	Bolt	M6 X 35	1
1-58	0020100006	Nut	M6	2
1-59	61500120300	Shift Lever		1
1-60	6066030030	Grip	Φ12	1
1-61	61500120900	Plate,Shift Guide		1
1-62	0026100006	Plain Washer	M6	2
1-63	0027100006	Spring Washer	M6	2
1-64	0010100616	Bolt	M6 X 16	2
1-65	6376512000	Rubber, Cushion		2
1-66	0020100012	Nut	M12	1
1-67	0027100012	Spring Washer	M12	1
1-68	0026100012	Plain Washer	M12	2
1-69	6062070010	Bolt, Dump Hook		1
1-70	6796230010	Rubber Cap	50 X 50 X t2.3	4
1-71	61502220100	Bolt, Engine Base		2
1-72	0027100010	Spring Washer	M10	4
1-73	0020100010	Nut	M10	4
1-74	61502220000	Base, Engine		2
1-75	6462076010	Engine Stay Bolt	Mitsubishi	4
↑	6872670000	Engine Stay Bolt	Robin	4
↑	6462076010	Engine Stay Bolt	Kubota	4
↑	6462076010	Engine Stay Bolt	Honda	4
1-76	0026100008	Plain Washer	M8	4
1-77	0027100008	Spring Washer	M8	4
1-78	0020100008	Nut	M8	4
1-79	0010100816	Bolt	M8 X 16	3
1-80	61501160000	Cover, Belt		1
1-81	6012263000	Stay, Spring	~1995	1
↑	61500121200	Stay, Spring	1996~	1
1-82	6062104020	Spring		1
1-83	0031199006	Pin With Stopper	Φ6	2
1-84	0026100006	Plain Washer	M6	2
1-85	6066080000	Pin	Φ6 X 19 (15)	2
1-86	61506060100	Brake Wire		1
1-87	6172105000	Spring		1
1-88	0036800012	Snap Ring	E12	1
1-89	61506020000	Arm (Tension)		1
1-90	6066110000	Tension Pulley		1

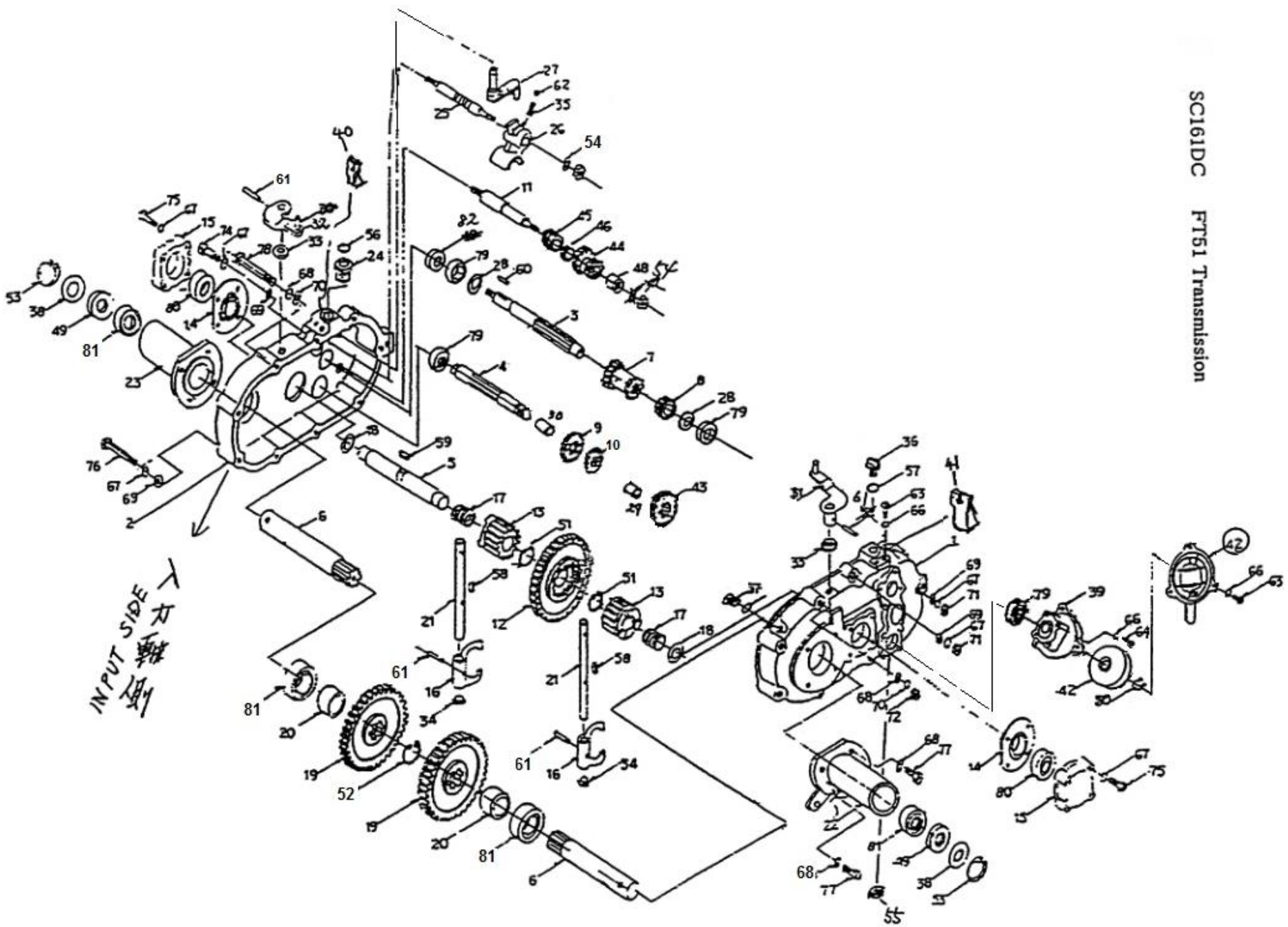


SC161DC 2 Handel, Dock system



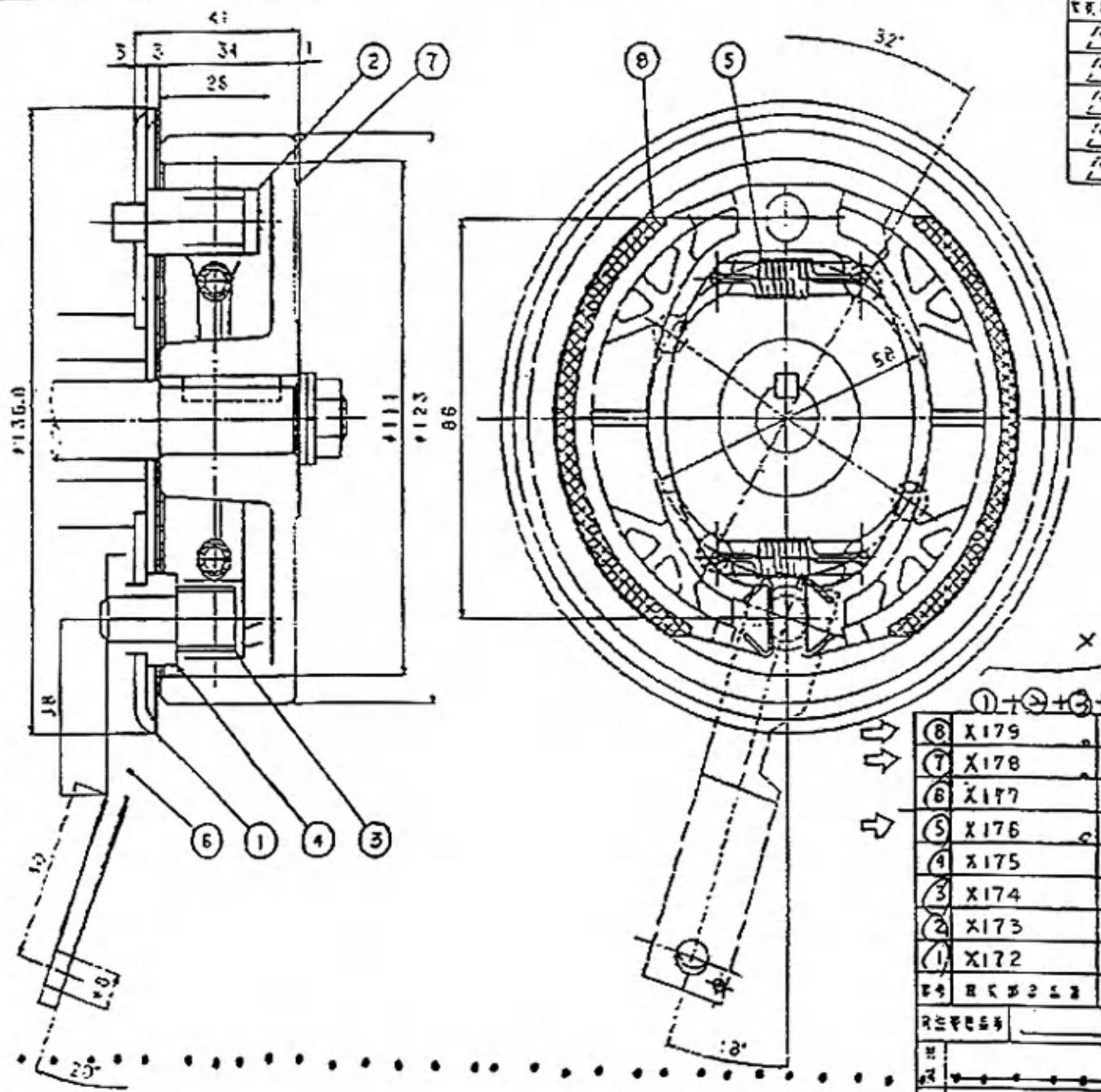
Item No	Parts number	Parts name	Remarks	Q'ty
2-1	0010111445	Bolt	M14 X 45 (8T)	2
2-2	0020100014	Nut	M14	4
2-3	60725260000	Cap		6
2-4	60725220300	Deck, Front		1
2-5	61516560400	Mark, Payload	English	1
↑	61516560300	Mark, Payload	Italian	1
↑	61516561200	Mark, Payload	French	1
2-6	0100000108	Knob Bolt	M8 X 15	6
2-7	6492100020	Spring		6
2-8	61516560100	Mark, Model		1
2-9	60725220500	Deck, LH		1
2-10	6316391000	Reflective Tape		1
2-11	61515220000	Deck		1
2-12	60725220400	Deck, RH		1
2-13	-			
2-14	0036800012	Snap Ring	E12	1
2-15	6062393000	Dump Hook		1
2-16	6062104040	Spring		1
2-17	7276030000	Grip		1
2-18	0010101225	Bolt	M12 X 25	2
2-19	0027100012	Spring Washer	M12	2
2-20	0026100012	Plain Washer	M12	2
2-21	0010101025	Bolt	M10 X 25	2
2-22	0027100010	Spring Washer	M10	2
2-23	0026100006	Plain Washer	M6	2
2-24	0031199006	Pin with Stopper	Φ 6	2
2-25	61506060202	Side Clutch Wire		2
2-26	6496130000	Clutch Lever		1
2-27	2499110030	Wire Band		5
2-28	6066043000W	Throttle Wire		1
2-29	6066132000	Throttle Lever		1
2-30	6066030000	Grip		2
2-31	6492999000	Clutch Lever		1
2-32	0100000192	Screw	M6 X 25	2
2-33	60706020000	Handle		1
2-34	6496040600	Traction Wire		1
2-35	0031199006	Pin with Stopper	Φ 6	2
2-36	0026100006	Plain Washer	M6	2
2-37	0031310640	Pin	Φ 6 X 43	1
2-38	6496130600	Clutch Lever		1
2-39	6494990000	Plate		1
2-40	0027100006	Spring Washer	M6	1
2-41	0010100612	Bolt	M6 X 12	1
2-42	61106560200	Mark, Corporate		1
2-43	60726560100	Mark, SATO MFG.		1
2-44	61106560200	Mark, Corporate		1
2-45	6386020021	Mark, GORIKI		1

SCI161DC FT51 Transmission





△			
△			
△			
△			
△			



①+②+③+④+⑤+⑥+⑧

⑧	X179	シュー	ADC12	2	----
⑦	X178	ブレーキドラム	FC25	1	2621
⑥	X177	ブレーキパッド	SPA	1	5627
⑤	X176	スプリング	SWP8	2	5626
④	X175	ブッシュ	SS41	1	5625
③	X174	ブレーキカム	S15CR	1	5824△
②	X173	ブレーキシュー調整ピン	S3CC	1	5623△
①	X172	ブレーキパッド	SPEC	1	5622

品名	ブレーキASSY	
図番	X171	
製法	株式会社 橋本製作所	
材料	S15CR	
加工	C13	
検査	L-2	
承認	51	

Item No	Parts number	Parts name	Q'ty
1	2651-1D-L	Transmission case LH	1
2	2651-1D-R	Transmission case RH	1
3	T0515323SD	Input axis	1
4	T0514414SB	Brake axis	1
5	2555-1	Clutch axis	1
6	T0515669AS	Drive shaft	2
7	T0516001GS	Slide gear 14/19	1
8	T0512501GS	Top gear 24	1
9	T0513001GS	Low gear 25	1
10	T0512801GS	20 gear	1
11	T0513301SB	Reverse axis	1
12	2637	Clutch gear	1
13	2566-4	Side clutch gear	2
14	2601	Clutch metal	2
15	2604	Bearing cover	2
16	2603-2	Gear shifter	2
17	2602	Clutch spring	2
18	5204	Collar	2
19	2512-2	Drive shaft gear	2
20	2517	Collar	2
21	2605	Clutch rod	1
22	T051216AC	Drive shaft holder LH	1
23	T0512160AC	Drive shaft holder RH	1
24	2541	Shift lever guide	1
25	T0514103SR	Shifter rod	1
26	T0512220SF	Gear shifter A	1
27	2540	Shift lever 12	1
28	2638	Collar	1
29	T0515602CL	Collar 12mm	1
30	T0515603CL	Collar 15mm	1
31	5005L	Clutch lever LH	1
32	5005R	Clutch lever RH	1
33	5310	O-ring,clutch rod	2
34	5312	Blinded top,clutch rod	2
35	5506	Spring,shift fork	1
36	5011	Oil supply plug	1
37	5012	Waste oil plug	1
38	2514	Cover oilseal	1
39	2646-1	Brake holder	1
40	2611-3L	Wire metal L	1
41	2611-3R	Wire metal R	1
42	X171	Brake Assy	1
43	T0512901GS	Gear 17	1
44	T0512601GS	Reverse gear 15/20	1
45	T0512701GS	Reverse gear 14	1
46	1410	Bushing	4
47	1710	Bushing	4
48	2518	Collar reverse axis	1



Distribuito da:

---

**SABRE ITALIA** 

[www.sabreitalia.com](http://www.sabreitalia.com) - [info@sabreitalia.com](mailto:info@sabreitalia.com)